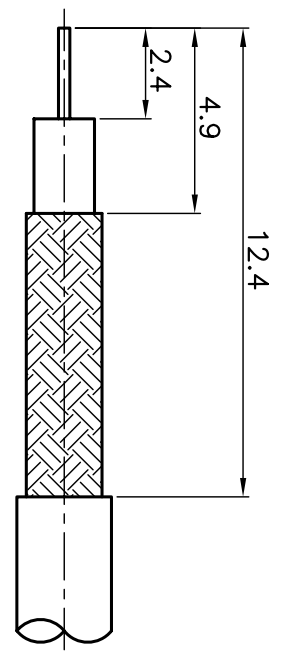
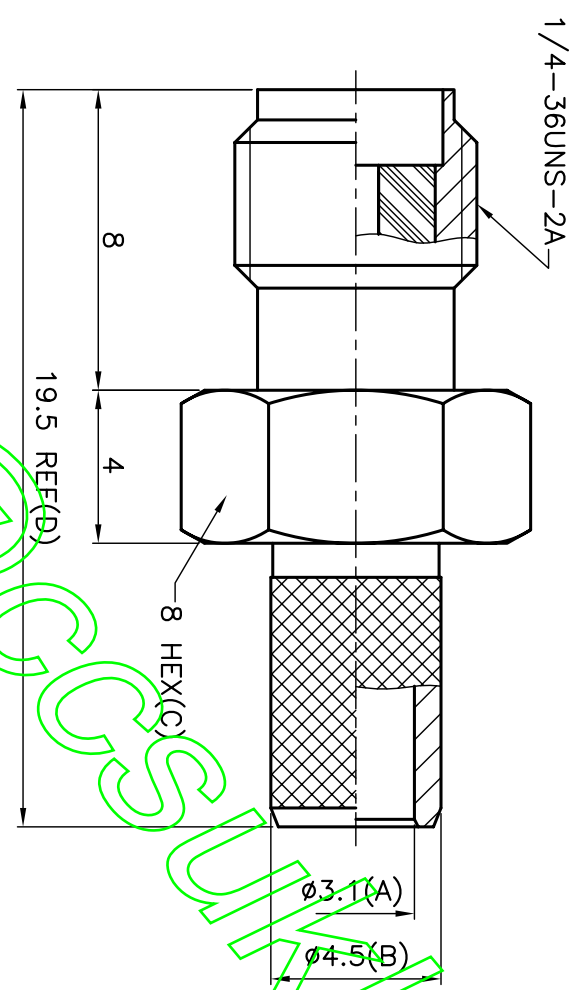


ISS	REVISIONS
	DESCRIPTION \ DATE

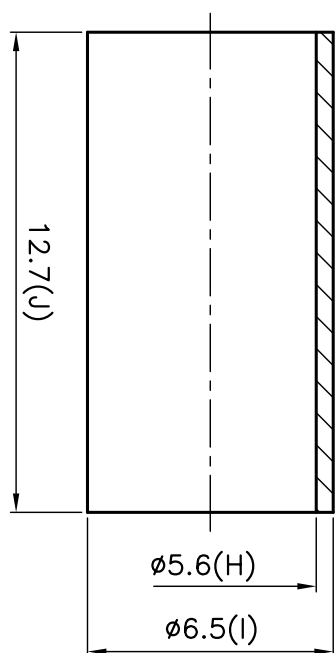
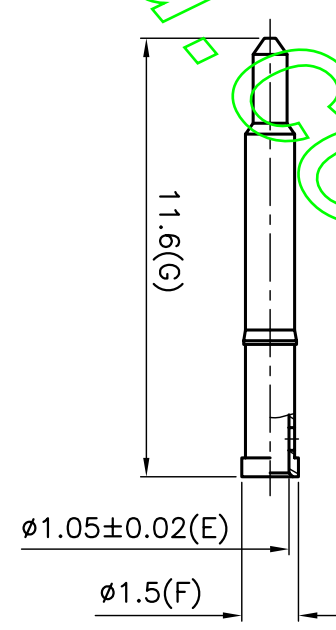


RECOMMENDED
CABLE STRIPPING DIM'S

RoHS COMPLIANT



1. CRIMPED FERRULE
HEX CRIMP SIZE .213"
2. CONTACT PIN TO SOLDER



CONNECTORS CABLES
CCS
SPECIALISTS LTD

TITLE: SMA FEMALE CRIMP REVERSE
(FOR RG58/U)

PART NO: SMAJCR58R

DR. NO:

APRD:	UNLESS OTHERWISE SPECIFIED TOLERANCES
CHKD:	0.5-6 = ±0.2
DR:	>6-30 = ±0.4
	>30-120 = ±0.6
	>120-315 = ±1.0
	>315-1000 = ±1.6
	ANGLES = ±5°

DATE: 07/28/09"	UNIT: mm
SHEET:	SCALE: 5/1

NO.	DESCRIPTION	MATERIAL	FINISH	SGS REPORT NO
	FERRULE	BRASS	GOLD	KA/2005/10527 \ KA/2005/30993
	CONTACT PIN	BRASS	GOLD	KA/2005/10527 \ KA/2005/30993
	INSULATOR	TEFLON	WHITE	KA/2005/50918
	BODY	BRASS	GOLD	KA/2005/10527 \ KA/2005/30993